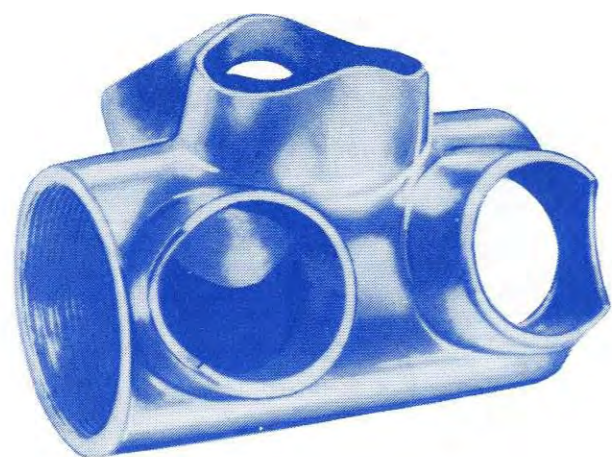
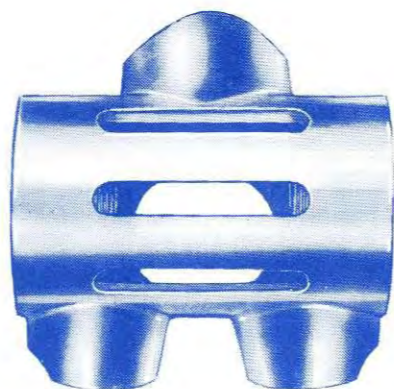


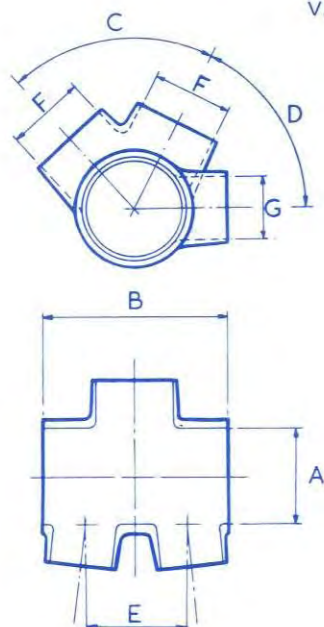
HADEN STEEL BOTTOM BRACKETS



HADEN SPORTS BOTTOM BRACKET
V. Pattern (for straight stays)



If required brackets can be supplied with three weight saving slots cut in the underside.



Catalogue Reference	Thread for Cup A	Width B	Angle C	Angle D	E	F	G
VBS5964	1.370" x 24 TPI	68	59°	64°	38	28.6	22.2
VBS6061	1.370" x 24 TPI	68	60°	61°	38	28.6	22.2
VBS6063	1.370" x 24 TPI	68	60°	63°	38	28.6	22.2
VBS6064	1.370" x 24 TPI	68	60°	64°	38	28.6	22.2
VBS6162	1.370" x 24 TPI	68	61°	62°	38	28.6	22.2
VBS6163	1.370" x 24 TPI	68	61°	63°	38	28.6	22.2
VBS6164	1.370" x 24 TPI	68	61°	64°	38	28.6	22.2
VBS6363	1.370" x 24 TPI	68	63°	63°	38	28.6	22.2
HMI	1.370" x 24 TPI	68	-	-	-	-	-
HM2	1.370" x 24 TPI	68	-	-	38	-	22.2

Where Required Bottom Brackets Can Be Supplied To Suit French Metric Size Tubes.



Type HM1 for welded frames
1.370" x 24 TPI BSC Thread
68mm wide 3 mm wall thickness.



Type HM2 for welded frame
1.370 x 24 TPI BSC Thread
68mm wide.
Chainstay pipes 22.2mm I/D
38mm between centres.
V. Pattern (for straight stays)

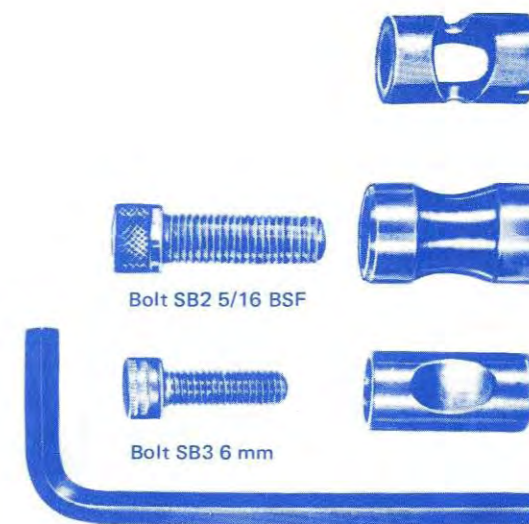
HADEN FRAME FITTINGS

EXTENSION TANG

ref ET1
Pressed Steel
80 mm long.



SEAT BOLT HOLDERS



Holder SBH 1
Pressed type for nibbed clip bolt

Holder SBH 2
5/16 BSF thread

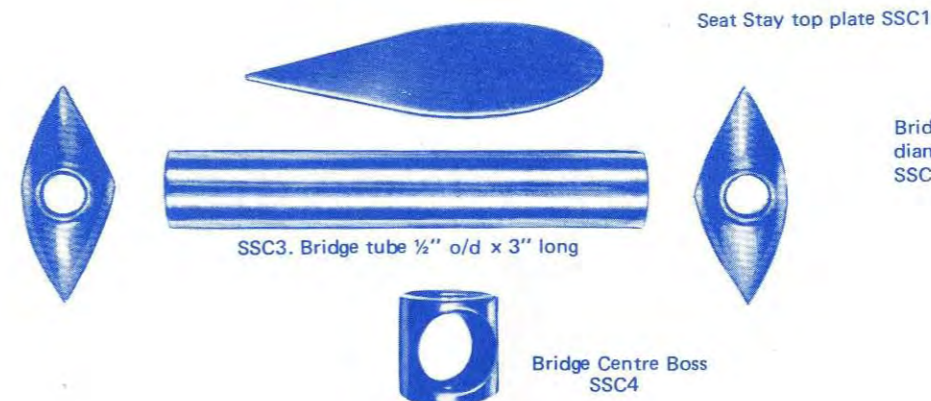
Holder SBH 3
6 mm thread

Bolt SB2 5/16 BSF

Bolt SB3 6 mm

Allen Key AK2 for 5/16 BSF
Allen Key AK3 for 6 mm thread

SEAT STAY COMPONENTS



Seat Stay top plate SSC1

Bridge re-inforcing diamond SSC2

SSC3. Bridge tube 1/2" o/d x 3" long

Bridge Centre Boss SSC4

FORK ENDS



Sports - Front
Pressed
HFE12

Sports-Rear
Pressed and embossed
HFE13

CABLE GUIDES



Braze on type for top tube
CG1

Braze on LH type for Bottom Bracket fixing (Front changer)
CG2

Braze on RH type for Bottom Bracket fixing (Rear changer)
CG3